



JuiceBar Gen 3 Spec Guide

Level 2
Electric Vehicle Supply Equipment (EVSE)



320 SERIES: 32A LEVEL 2

MODEL #	DESCRIPTION
JB3.0-321	Single Connector Charger
JB3.0-322	Dual Connector Charger

CERTIFICATIONS

TUV Rheinland U L 2231-1, UL 2231-2, UL 2594
ENERGY STAR – Double Port Only

AC INPUT

Voltage: 208/240 VAC
Breaker: Rating 40A
Single Connector: 3 Wire (L1, L2 & G)
Double Connector: 5 Wire (L1, L1, L2, L2 & G)

AC OUTPUT PER CONNECTOR

7.7 kW at 240VAC
6.6 kW at 208VAC

Charge Time for average EV with 80 kWh capacity going from 20-80%

6.25 hours

OPERATING TEMPERATURE

- 20° C to +50° C
- 4° F to +122° F

COMMUNICATIONS

Cellular
Ethernet

PROTOCOL

OCPP 1.6J

DIMENSIONS

71.25" Total Height with Pedestal
36.5" Total Height w/out Pedestal
16" Width Without Connectors
12" Depth

CORD LENGTH

18 feet

CONNECTORS

SAE J1772 Type 1

ENCLOSURE

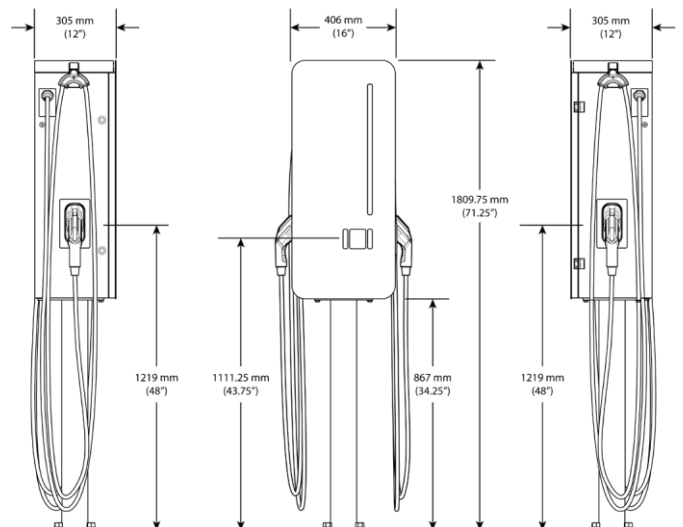
Type 3R Aluminum

OPTIONS

Wall Bracket
Pedestal Mount
Branded Door Graphics

USER INTERFACE

LED Indicators
RFID Card Reader



400 SERIES: 40A LEVEL 2

MODEL #	DESCRIPTION
JB3.0-401	Single Connector Charger
JB3.0-402	Dual Connector Charger

CERTIFICATIONS

TUV Rheinland UL 2231-1, UL 2231-2, UL 2594
ENERGY STAR – Double Port Only

AC INPUT

Voltage: 208/240 VAC
Breaker: Rating 50A
Single Connector: 3 Wire (L1, L2 & G)
Double Connector: 5 Wire (L1, L1, L2, L2 & G)

AC OUTPUT PER CONNECTOR

9.6 kW at 240VAC
8.3 kW at 208VAC

Charge Time for average EV with 80 kWh capacity going from 20-80%

5 hours

OPERATING TEMPERATURE

- 20° C to +50° C
- 4° F to +122° F

COMMUNICATIONS

Cellular
Ethernet

PROTOCOL

OCPP 1.6J

DIMENSIONS

71.25" Total Height with Pedestal
36.5" Total Height w/out Pedestal
16" Width Without Connectors
12" Depth

CORD LENGTH

18 feet

CONNECTORS

SAE J1772 Type 1

ENCLOSURE

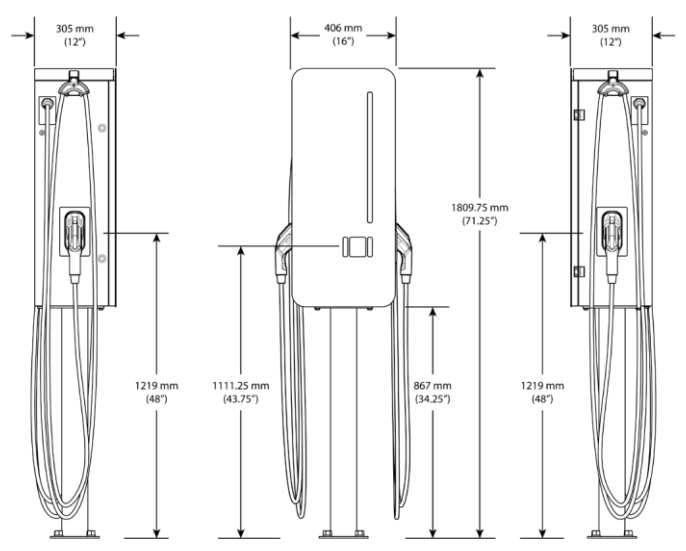
Type 3R Aluminum

OPTIONS

Wall Bracket
Pedestal Mount
Branded Door Graphics

USER INTERFACE

LED Indicators
RFID Card Reader



480 SERIES: 48A LEVEL 2

MODEL #	DESCRIPTION
JB3.0-481	Single Connector Charger
JB3.0-482	Dual Connector Charger

CERTIFICATIONS

TUV Rheinland
 Energy Star – Double Port Only
 UL 2231-1, UL 2231-2, UL 2594

AC INPUT

Voltage: 208/240 VAC
 Breaker: Rating 60A
 Single Connector: 3 Wire (L1, L2 & G)
 Double Connector: 5 Wire (L1, L1, L2, L2 & G)

AC OUTPUT PER CONNECTOR

11.5 kW at 240VAC
 10kW at 208VAC

Charge Time for average EV with 80 kWh capacity going from 20-80%

4.2 hours

OPERATING TEMPERATURE

- 20° C to +50° C
 - 4° F to +122° F

COMMUNICATIONS

Cellular
 Ethernet

PROTOCOL

OCPP 1.6J

DIMENSIONS

71.25" Total Height with Pedestal
 36.5" Total Height w/out Pedestal
 16" Width Without Connectors
 12" Depth

CORD LENGTH

18 feet

CONNECTORS

SAE J1772 Type 1

ENCLOSURE

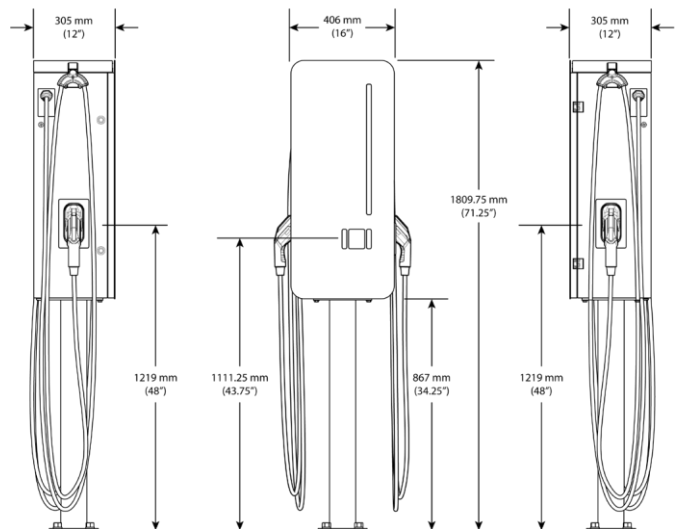
Type 3R Aluminum

OPTIONS

Wall Bracket
 Pedestal Mount
 Branded Door Graphics

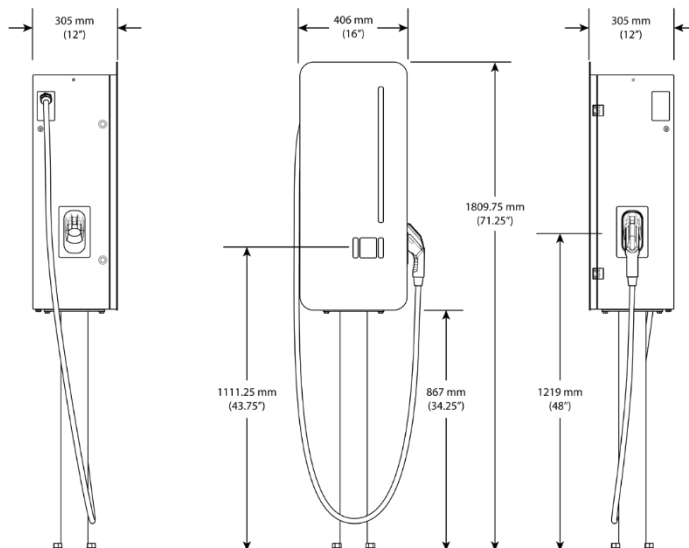
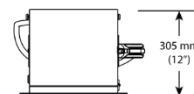
USER INTERFACE

LED Indicators
 RFID Card Reader

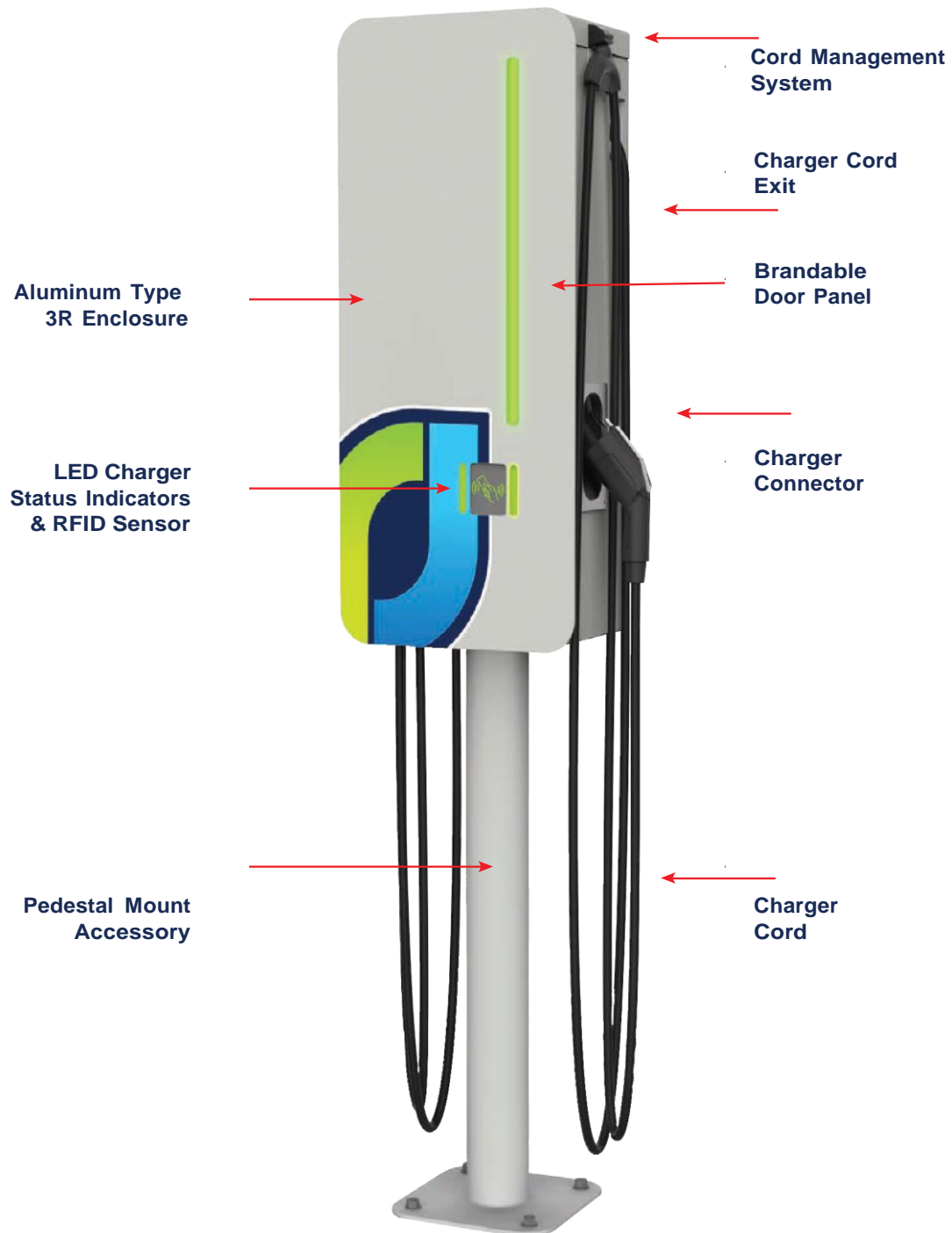


800 SERIES: 80A LEVEL 2

MODEL #	DESCRIPTION
JB3.0-801	Single Connector Charger
CERTIFICATIONS	
TUV Rheinland	
UL 2231-1, UL 2231-2, UL 2594	
AC INPUT	
Voltage: 208/240 VAC	
Breaker: Rating 100A	
Single Connector: 3 Wire (L1, L2 & G)	
AC OUTPUT PER CONNECTOR	
19.2 kW at 240VAC	
16.6 kW at 208VAC	
Charge Time for average EV with 80 kWh capacity going from 20-80%	
2.5 hours	
OPERATING TEMPERATURE	
- 20° C to +50° C	
- 4° F to +122° F	
COMMUNICATIONS	
Cellular	
Ethernet	
PROTOCOL	
OCPP 1.6J	
DIMENSIONS	
71.25" Total Height with Pedestal	
36.5" Total Height w/out Pedestal	
16" Width Without Connectors	
12" Depth	
CORD LENGTH	
9 feet	
CONNECTORS	
SAE J1772 Type 1	
ENCLOSURE	
Type 3R Aluminum	
OPTIONS	
Wall Bracket	
Pedestal Mount	
Branded Door Graphics	
LED Indicators	
USER INTERFACE	
RFID Card Reader	



EXTERNAL COMPONENTS & ASSEMBLY



WALL MOUNT BRACKET

